



— Simplify your life —
AV Access

HDIP100E & HDIP100D

1080P HDMI over IP Encoder & Decoder



User Manual

Disclaimers

The information in this manual has been carefully checked and is believed to be accurate. AV Access Technology Limited assumes no responsibility for any infringements of patents or other rights of third parties which may result from its use.

AV Access Technology Limited assumes no responsibility for any inaccuracies that may be contained in this document. AV Access Technology Limited also makes no commitment to update or to keep current the information contained in this document.

AV Access Technology Limited reserves the right to make improvements to this document and/or product at any time and without notice.

Copyright

Copy, Reproduce, Distribute and/or Edit of this document or part of it as well as utilization of its contents and communication thereof to others without express authorization are prohibited. Offenders will be held liable for payment of damages. All rights created by patent grant or registration of a utility model or design patent are reserved. Copyright ©2017 AV Access Technology Limited All rights reserved.

Trademarks Notice

All products or service names mentioned in this document may be trademarks of the companies with which they are associated.

Contact Us

Business inquiry: services@avaccess.com

Technical problems: support@avaccess.com

Important Safety Instructions

- Do not expose this device to rain, moisture, dripping or splashing. No objects filled with liquids, such as vases, shall be placed on the device.
- Do not install or place this unit in a bookcase, built-in cabinet, or in another confined space. Ensure the unit is well ventilated.
- To prevent risk of electric shock or fire hazard due to overheating, do not obstruct the unit's ventilation openings with newspapers, tablecloths, curtains, or similar items.
- Do not install near any heat sources such as radiators, heat registers, stoves, or other device (including amplifiers) that produce heat.
- Do not place sources of naked flames, such as lighted candles, on the unit.
- Clean this device only with dry cloth.
- Unplug this device during lightning storms or when unused for long periods of time.
- Protect the power cord from being walked on or pinched, particularly at plugs.
- Only use attachments / accessories specified by the manufacturer.
- Refer all servicing to qualified service personnel

Table of Contents

Introduction	2
Overview	2
Package Contents	2
Panel	3
Encoder.....	3
Decoder	3
Application	4
Specification	6
Trouble Shooting	7
Warranty	8

Introduction

Overview

HDIP100E/HDIP100D is a brand-new networked AV encoder/decoder adopting the latest H.265 compression technology. The encoder/decoder supports resolution up to 1080P@60Hz and supports using the VDirector App (IOS version) to control, users can easily build an IP matrix or a video wall on iPad. Fast and seamless switching, easy-to-use and plug-n-play features, the encoder and decoder can be widely used in sports bars, conference rooms, digital signages, etc.

Package Contents

Before you start the installation of the product, please check the package contents:

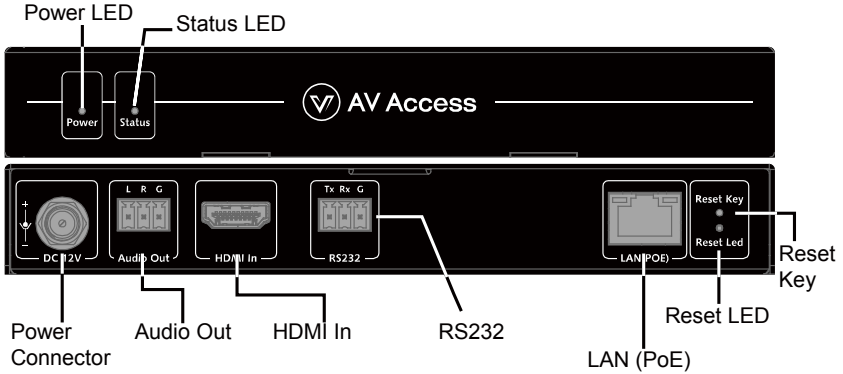
Encoder/Decoder:

- Encoder x 1/Decoder x 1
- Power Adapter (DC 12V 1A) x 1
- Exchangeable US Plug x 1
- Exchangeable UK Plug x 1
- Exchangeable EU Plug x 1
- Exchangeable AU Plug x 1
- Phoenix Male Connectors (3.5 mm, 3 Pins) x 2
- Mounting Ears (with Screws) x 2
- User Manual x 1

Panel

Encoder

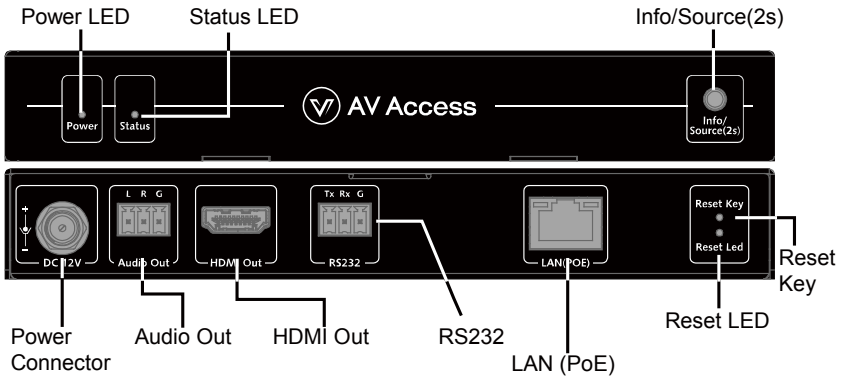
Front Panel & Rear Panel



Decoder

Front Panel & Rear Panel

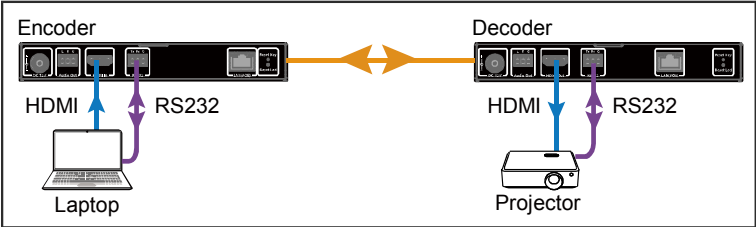
Panel



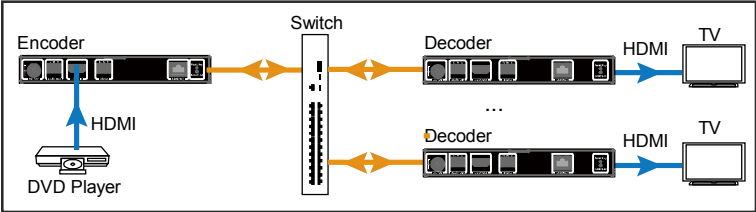
Info/Source (2s) Key: Short press to display/remove information of encoder and decoder on screen; Press and hold for 2 seconds to change the current matched encoder.

Application

a. 1 – 1: Extender



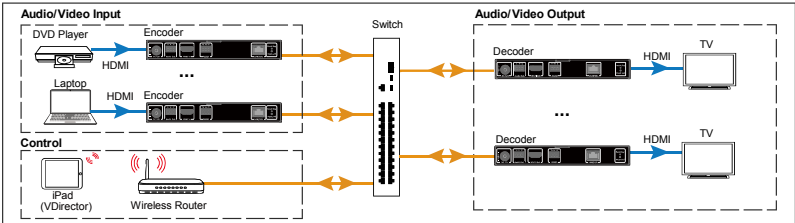
b. 1 – n: Splitter



c. m – n: Matrix/Video Wall

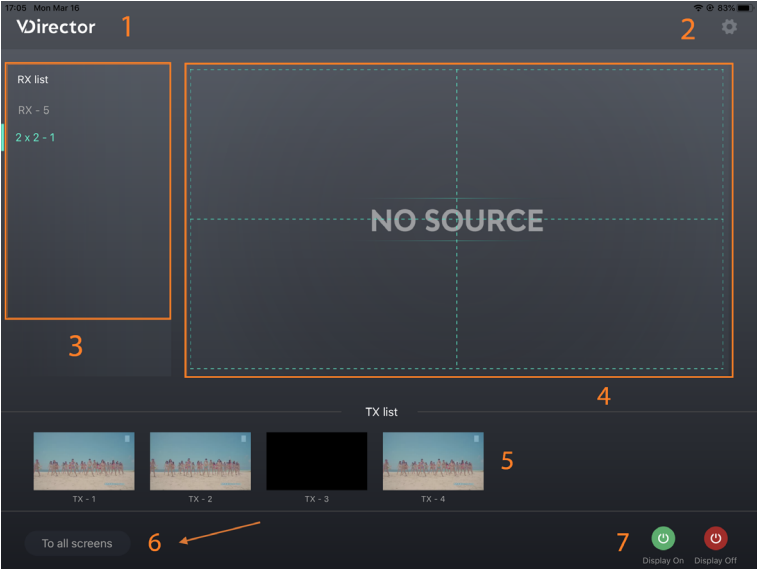
To configure matrix and video wall, perform the following:

- 1) Scan the QR code or search "VDirector" in Apple App Store with your iPad to install the VDirector.
- 2) Connect all encoders, decoders and the wireless router to the network switch according to the following diagram shown:



- 3) Configure the wireless router properly, and then connect your iPad to the Wi-Fi network. Launch the VDirector on iPad, the VDirector will start

searching for online devices, and the following main screen will appear:



No.	Name	Description
1	Logo	This logo can be changed to a new one.
2	System Configuration Button	Click this button to enter system configuration page for the functions: 1) Naming and Sequencing; 2) Video Wall Settings; 3) Advanced Settings; 4) System Information.
3	RX List	Shows the list of online RX devices, including single device and devices for video walls.
4	RX Preview	Shows the live preview of current RX assignments.
5	TX List	Shows the IP stream's live preview from TX device.
6	To All Screens	Drag a TX from TX list over this button means the switching of this TX to all RX devices in RX list, including video walls.
7	Display On/Off	<ul style="list-style-type: none">Display On: Turn on all RXs' displays.Display Off: Set all RXs' displays to standby state.

Specification

Video	Encoder	Decoder
Input Port	1 x HDMI	1 x LAN
Input Resolutions	up to 1080P@60Hz	up to 1080P@60Hz
Output Port	1 x LAN	1 x HDMI
Output Resolutions	up to 1080P@60Hz	up to 1080P@60Hz
Video Protocol	H.265 Video Compression	

Audio	Encoder	Decoder
Input Port	1 x HDMI	1 x LAN
Output Port	1 x LAN, 1 x Line Out	1 x HDMI, 1 x Line Out
Audio Format	MPEG4-AAC and LPCM Stereo	

Control	
Control Method	VDirector App on iPad

General	
Operating Temperature	+32°F ~ +113°F (0°C ~ +45°C) 10% ~ 90%, non-condensing
Storage Temperature	-4°F ~ 140°F (-20°C ~ +70°C) 10% ~ 90%, non-condensing
Power Supply	DC12V 1A /PoE
Power Consumption	Encoder: 5W (Max) Decoder: 6W (Max)
ESD Protection	Human body model: <ul style="list-style-type: none"> • ±8kV (air-gap discharge) • ±4kV (contact discharge)
Product Dimension (W x H x D)	175mm x 25mm x 100.2mm/ 6.9" x 0.98" x 3.9" each for encoder and decoder
Net Weight	0.60kg/1.32lbs each for TX and RX

Trouble Shooting

1. Do the network switch and the wireless router require specific settings?

The network switch doesn't require specific settings. If the wireless router enables DHCP function, ensure the IP address doesn't start with "169.254".

2. Why can't the VDirector find online devices?

Ensure the network switch's broadcasting function is not disabled intentionally.

3. Do the encoder and decoder support RS232 routing?

Yes. RS232 and audio routing will always follow video routing.

4. Is it also available to configure video wall in the 1-n application?

Yes.

5. What about the networking size?

Limitless except that one encoder can't be watched by more than 50 decoders at the same time. Note: As the number of the watching decoders increases, the end-to-end latency increases accordingly.

6. May I change the matched encoder for a decoder without using VDirector app?

Yes. The matched encoder will change by simply holding on the ID key in the front panel of a decoder for 2 seconds.

Warranty

Products are backed by a limited 1-year parts and labor warranty. For the following cases AV Access Technology Limited shall charge for the service(s) claimed for the product if the product is still remediable and the warranty card becomes unenforceable or inapplicable.

1. The original serial number (specified by AV Access Technology Limited) labeled on the product has been removed, erased, replaced, defaced or is illegible.
2. The warranty has expired.
3. The defects are caused by the fact that the product is repaired, dismantled or altered by anyone that is not from an AV Access Technology Limited authorized service partner. The defects are caused by the fact that the product is used or handled improperly, roughly or not as instructed in the applicable User Guide.
4. The defects are caused by any force majeure including but not limited to accidents, fire, earthquake, lightning, tsunami and war.
5. The service, configuration and gifts promised by salesman only but not covered by normal contract.
6. AV Access Technology Limited preserves the right for interpretation of these cases above and to make changes to them at any time without notice.

Thank you for choosing products from AV Access.



AV Access — *Simplify your life* —

AV Access Technology Limited

V1.0.3