



— Simplify your life —
AV Access

eShare W50

Hybrid Conference System with Wireless BYOD



User Manual

Disclaimers

The information in this manual has been carefully checked and is believed to be accurate. AV Access Technology Limited assumes no responsibility for any infringements of patents or other rights of third parties which may result from its use.

AV Access Technology Limited assumes no responsibility for any inaccuracies that may be contained in this document. AV Access Technology Limited also makes no commitment to update or to keep current the information contained in this document.

AV Access Technology Limited reserves the right to make improvements to this document and/or product at any time and without notice.

Copyright

Copy, Reproduce, Distribute and/or Edit of this document or part of it as well as utilization of its contents and communication thereof to others without express authorization are prohibited. Offenders will be held liable for payment of damages. All rights created by patent grant or registration of a utility model or design patent are reserved. Copyright ©2022 AV Access Technology Limited All rights reserved.

Trademarks Notice

All products or service names mentioned in this document may be trademarks of the companies with which they are associated.

Contact Us

Email: [**info@avaccess.com**](mailto:info@avaccess.com)

Important Safety Instructions

- Do not expose this device to rain, moisture, dripping or splashing. No objects filled with liquids, such as vases, shall be placed on the device.
- Do not install or place this unit in a bookcase, built-in cabinet, or in another confined space. Ensure the unit is well ventilated.
- To prevent risk of electric shock or fire hazard due to overheating, do not obstruct the unit's ventilation openings with newspapers, tablecloths, curtains, or similar items.
- Do not install near any heat sources such as radiators, heat registers, stoves, or other device (including amplifiers) that produce heat.
- Do not place sources of naked flames, such as lighted candles, on the unit.
- Clean this device only with dry cloth.
- Unplug this device during lightning storms or when unused for long periods of time.
- Protect the power cord from being walked on or pinched, particularly at plugs.
- Only use attachments / accessories specified by the manufacturer.
- Refer all servicing to qualified service personnel.

Table of Contents

Introduction.....	4
Overview	4
Features	4
Package Contents.....	5
Panel.....	5
Front Panel	5
Rear Panel.....	6
Installation.....	7
Application	8
Key Functions	9
Screen Mirroring	9
Screen Mirroring over Airplay (for Apple Devices).....	9
Screen Mirroring over Miracast (for Android Phones & Windows PCs)	10
Screen Mirroring over Dongle.....	11
Automatic Signal Switching	12
Guide Screen	13
OSD	14
Specifications	15
Web UI.....	17
Wireless Setting.....	18
Output Setting.....	20
Network Setting	21
Web UI Logon Password.....	22
Guide Screen Change.....	23
Firmware Upgrade	23
Version Information	24
Firmware Upgrade.....	25
Warranty	26

Introduction

Overview

The eShare W50 is a high-performance BYOD presentation switcher with wireless presentation capability. It equips built-in Wi-Fi module and offers multiple access approaches, including Airplay Mirroring, Miracast, Dongle and physical HDMI and USB-C ports, with which you can project the screen contents of your computers (Mac/Windows) or mobile devices (iPhone/iPad/Android phone) to a display.

Multiple features like automatic signal switching, CEC, Guide Screen, OSD display are also included. It is a collaboration terminal that perfect for conferencing system.

Features

- Built-in Wi-Fi module for wireless connectivity with devices over Airplay Mirroring, Miracast and Dongle.
- Supports USB signal return for controlling host PC on touch screen.
- Supports HDMI input and output resolutions up to 4K@30Hz 4:4:4.
- Detailed and friendly OSD information.
- Offers friendly Web UI for easy configuration.

Package Contents

Before you start the installation of the product, please check the package contents:

- eShare W50 x 1
- DC 12V Power Adapter (with US, UK and EU Pins) x 1
- Wi-Fi Antenna x 1
- USB Type-C to USB Type-C Cable with Lock (L=2m) x 1
- HDMI Cable with Lock (L=2m) x 1
- Mounting Brackets x 2
- Mounting Screws x 4
- Self-drilling Screws x 4
- User Manual x 1

Panel

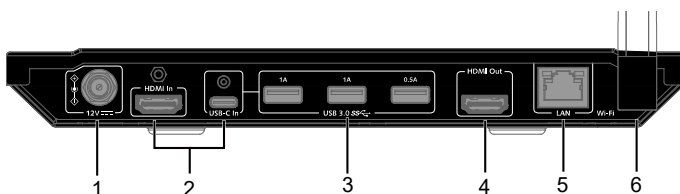
Front Panel



No.	Name	Description
1	Power	Lighting yellow-green when the device is powered on.
2	Status	<ul style="list-style-type: none"> • Lighting yellow-green: The device is outputting at least one video source. • Blinking yellow-green: The device is in standby mode. • Off: The device is outputting Guide Screen.
3	Pairing	USB-C port for connecting to the dongle for pairing.

No.	Name	Description
4	Reset	Reset button. When the device is powered on, use a pointed stylus to hold down this button for five or more seconds and then release, the device will reboot and restore to its factory defaults.

Rear Panel



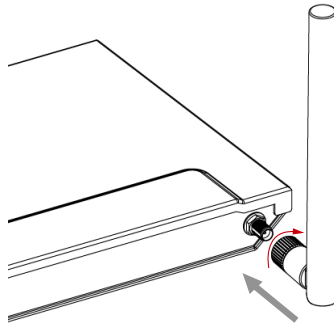
No.	Name	Description
1	12V	Connect to the DC 12V power adapter provided.
2	Input port	Connect to an HDMI and/or a USB-C source.
3	USB 3.0	USB-A ports with the two following functions supported: <ol style="list-style-type: none"> Connect to USB peripheral devices (e.g. keyboard, mouse, touch screen, etc.). <p>Note: All USB ports can supply power to USB peripheral devices.</p> <ul style="list-style-type: none"> 1A port: outputs DC 5V 1A power 0.5A port: outputs DC 5V 0.5A power Connect the port to a U-disk for firmware upgrade. More information, see Firmware Upgrade section.
4	HDMI Out	Connect to an HDMI display.
5	LAN	Connect to a network device (e.g. network switch, router, computer, etc.) for LAN control (Web GUI) and airplay mirroring signal input.
6	Wi-Fi	Connect to the antenna provided for the access to Miracast and soft AP function.

Installation

Note: Before installation, ensure the device is disconnected from the power source.

Attaching the Antenna

Attach an antenna provided to the threaded connector, and screw it down in clockwise.



Attaching Brackets

1. Attach the bracket to the bottom panel using screws provided in the package. The bracket is attached to the bottom panel as Figure (a) shown.
2. Repeat step 1 for the other side of the bottom panel.
3. Attach the brackets to the surface (e.g. on the wall, under the table) you desire using self-drilling screws provided (see Figure b).

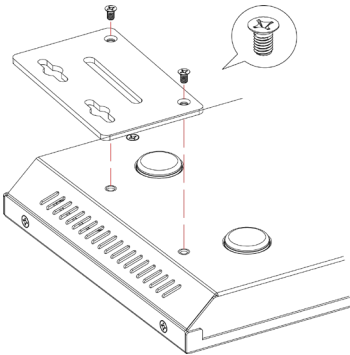


Figure (a)

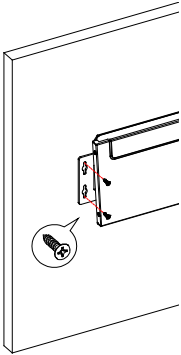
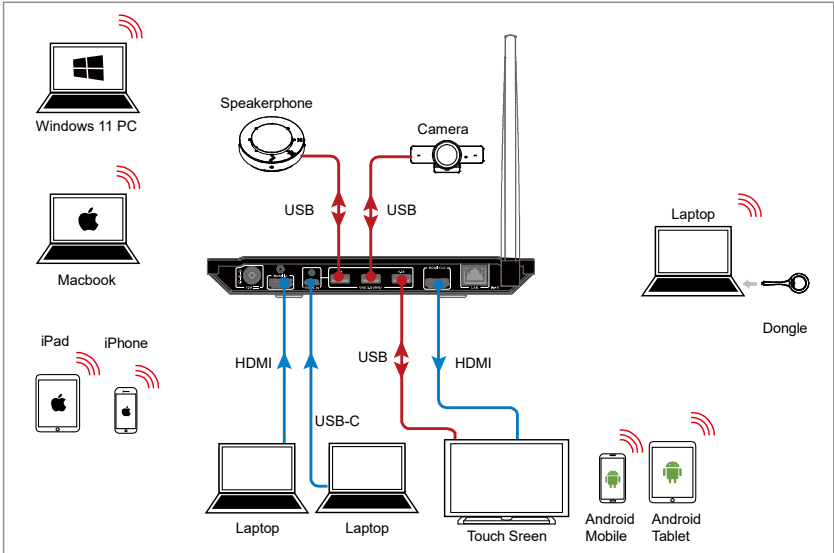


Figure (b)

Application



Note: If the USB-C video source (e.g. a laptop) is being displayed, all USB devices connected to USB 3.0 Type A ports of eShare W50 will be routed to the USB-C video source as well.

Key Functions

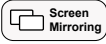
Screen Mirroring

If you're working on a PC and want its apps and content to be shown on another screen, you may want to consider mirroring your PC's screen to that screen.

With screen mirroring support, the device allows you to share your mobile devices' content wirelessly on any HDMI displays over Airplay Mirroring, Miracast and/or Dongle. In this manual, mobile devices available for screen mirroring are referred to as "screen mirroring source", such as Apple devices (iPhone/iPad/Mac), Android phones, Windows PCs, Dongle, etc.

Screen Mirroring over Airplay (for Apple Devices)

- a. Connect your iPhone/iPad/Mac to the device's Wi-Fi.
 - ⇒ **Wi-Fi SSID:** as same as the device name and can be obtained from OSD at the upper right of the display screen. By default, it is set as **eShare W50**.
 - ⇒ **Password:** set through Web UI and can be obtained from OSD at the upper right corner of the display screen. By default, it is set as **12345678**.



- b. Open Control Center on your Apple device, tap  to select appropriate mirroring device (the device name can be

obtained from the upper right corner of the display screen) from the pop-up menu.

- c. To disconnect Apple device from the device: click **Stop Mirroring**, the display stops displaying your device's screen.

Screen Mirroring over Miracast (for Android Phones & Windows PCs)


For Android smartphone (take Samsung Galaxy series for example):

1. Enable the Wi-Fi or WLAN feature of your smartphone.
2. On your phone, swipe down from the top and tap  SmartView or  Wireless Projection to select appropriate mirroring device (the device name can be obtained from the upper right corner of the display screen) from the pop-up CONNECT menu.
3. To disconnect the smartphone from the device: click "DISCONNECT" on your smartphone's screen.

Note:

- The icon, instruction and entrance of the Miracast function may vary on different Android phones, please refer to your phone's manual to get accurate instruction.
- If you fail to use Miracast function, please disable your phone's Wi-Fi and enable it later, or restart the mobile if necessary.

For Windows PC (Window 10 or higher):

1. Enable the WLAN feature of your PC.
2. On your PC, press the combination keys " + K" to select

appropriate mirroring device (the device name can be obtained from the upper right corner of the display screen) from the pop-up menu.

3. To disconnect PC from the device: click **Disconnect**, the display stops displaying PC's screen.

Note:

- The icon and interface of the Miracast function may vary on different computers.
- Some Windows 10/11 computers may fail to perform screen mirroring with Miracast due to compatibility issues.

Tip: Both the Airplay mirroring and Miracast support PIN code. If you see the PIN entry window appears on your devices, input the PIN code that can be obtained through OSD (see [OSD](#) section for more information).

Screen Mirroring over Dongle

Users are able to share laptop's content on a display wirelessly without even installing an application by using eShare D10 Dongle.

Note:

- (1) eShare D10 Dongle is sold separately.
- (2) Before you insert eShare D10 Dongle into your laptop, ensure your laptop's USB-C port supports video output.

Steps to share laptop's screen on the display using eShare D10 Dongle:

1. Pair Dongle with the device.

Connect Dongle to the Pairing port on the device's front panel.

Once pairing between Dongle and the device is completed,

“Pairing successful” appears on the display screen.

2. Connect Dongle to a laptop.

Insert eShare D10 into the laptop’s USB-C port, it will start running and connecting to the device’s Wi-Fi. After it is connected to the device successfully, the Dongle LED stops blinking and starts lighting constantly.

3. Now press the Dongle’s projecting button, you can project your laptop’s screen on the display immediately.

Automatic Signal Switching

The device supports automatic signal switching function, allowing you to output desired sources easily and quickly. This function follows Last-In-First-Out rule:

1. When a wired video source (HDMI or USB-C) is connected to the device, the device will automatically switch to this latest connected source and output it.
2. When a wireless video source (Airplay, Miracast or Dongle) is connected to the device, the device will automatically project its screen content to the connected display.
3. When disconnect the source being displayed from the device, the device will switch to the active wired video source that most recently connected or selected. If no active source remains, the display shows the Guide Screen image finally.

Guide Screen

The device outputs Guide Screen picture when no video source is selected or being output. The Guide Screen can be personalized to allow customized connection instructions on the device's Web UI page.

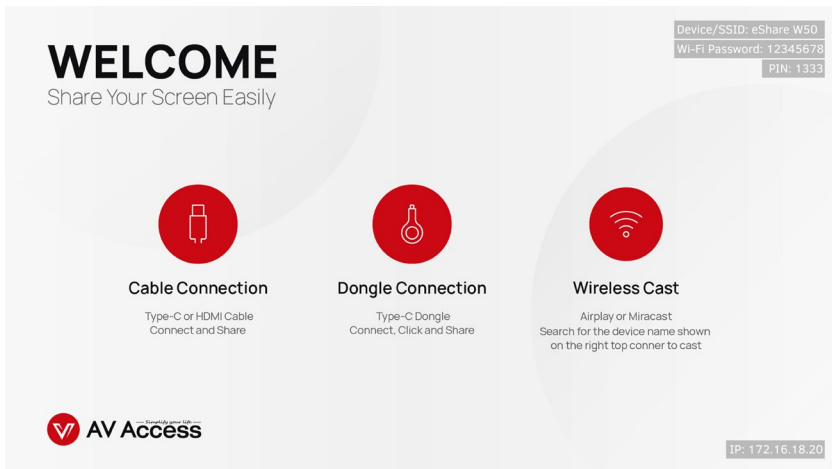


Figure 1 – Guide Screen Image

The Guide Screen image will appear automatically on the display screen after all video sources are removed from the device.

Note:

- This Guide Screen image can be changed through Web UI, for more information, refer to [Guide Screen Change](#) section.
- By default, if the device is outputting Guide Screen image for 60 seconds, a countdown timer with the time period of 60 seconds will appear on the Guide Screen. When the timer reaches zero, the connected display will enter standby mode if it is CEC-capable.

OSD

The device supports OSD (on screen display) to convey device basic information, including video source's information, PIN code, device name and IP address, etc. See Figure 2 below:

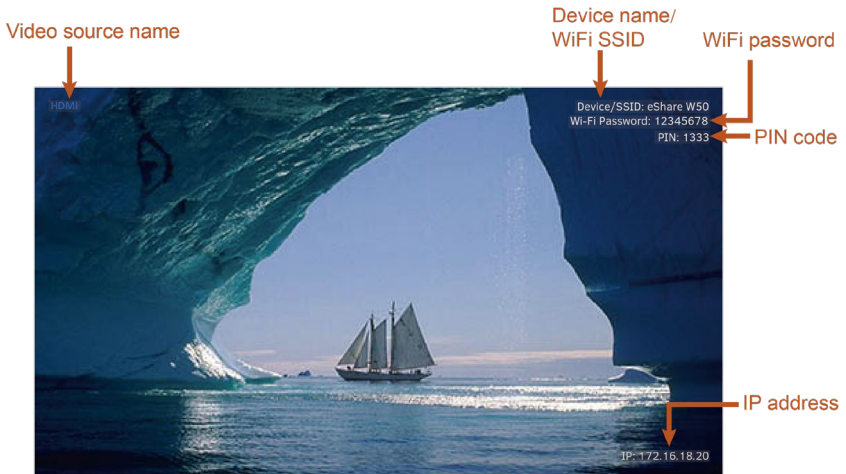


Figure 1 – OSD Example

Specifications

Technical	
Input Video Port	1 x USB-C In; 1 x HDMI In; 1 x LAN, 10/100/1000Mbps Ethernet; 1 x WLAN
Input Video Signal	<ul style="list-style-type: none"> HDMI: HDMI 1.4, HDCP 1.4 USB-C: DisplayPort 1.1, HDCP 1.4 LAN/WLAN: H.264
Input Resolutions	<p>HDMI: 640x480⁸, 800x600⁸, 1024x768⁸, 1280x768⁸, 1280x800⁸, 1280x1024⁸, 1360x768⁸, 1366x768⁸, 1440x900⁸, 1400x1050⁸, 1600x1200⁸, 1680x1050⁸, 1920x1200⁸, 720x480⁸ (480p), 720x576⁶ (576p), 1280x720⁵ (720p30), 1280x720⁶ (720p50), 1280x720⁸ (720p60), 1920x1080² (1080p24), 1920x1080³ (1080p25), 1920x1080⁵ (1080p30), 1920x1080⁶ (1080p50), 1920x1080⁸ (1080p60), 3840x2160⁵(2160p30)</p> <p>LAN/WLAN: Up to 1920x1080⁵ (1080p30) Note: The input resolution support for LAN or WLAN may vary according to the specific BYOD protocols and devices.</p> <p>1 = at 23.98 Hz, 2 = at 24 Hz, 3 = at 25 Hz, 4 = at 29.97 Hz, 5 = at 30 Hz, 6 = at 50 Hz, 7 = at 59.94 Hz, 8 = 60 Hz</p>
Output Video Port	1 x HDMI
Output Video Signal	HDMI 1.4, HDCP 1.4
Output Resolutions	<p>720x480⁸ (480p60), 720x576⁶ (576p60), 640x480⁸, 800x600⁸, 1024x768⁸, 1280x1024⁸, 1366x768⁸, 1440x900⁸, 1280x800⁸, 1680x1050⁸, 1920x2160⁵, 1600x1200⁸, 1920x1200⁸, 2560x1440⁵, 2560x1440⁸, 1280x720⁶ (720p50), 1280x720⁸ (720p60), 1920x1080⁶ (1080i50), 1920x1080⁸ (1080i60), 1920x1080² (1080p24), 1920x1080³ (1080p25), 1920x1080⁵ (1080p30), 1920x1080⁶ (1080p50), 1920x1080⁸ (1080p60), 3840x2160³ (2160p25), 3840x2160⁵ (2160p30)</p> <p>1 = at 23.98 Hz, 2 = at 24 Hz, 3 = at 25 Hz, 4 = at 29.97 Hz, 5 = at 30 Hz, 6 = at 50 Hz, 7 = at 59.94 Hz, 8 = 60 Hz</p>

Audio	
Input Audio Port	1 x HDMI; 1 x USB-C In; 1 x LAN; 1 x WLAN
Input Audio Signal	RAW PCM 2.0, 16 bit, 32/44.1/48KHz sps
Output Audio Port	1 x HDMI
Output Audio Signal	RAW PCM 2.0, 16 bit, 48KHz sps

Wi-Fi	
Standard	IEEE 802.11 a/b/g/n/ac
Frequency	Dual bands, 2.4~2.4835GHz, 5.0~5.8GH
Security	WEP, TKIP, AES, WPA, WPA2

Control	
Control Connector	1 x RJ45, 10/100/1000Mbps Ethernet
Control Method	LAN (Web UI)

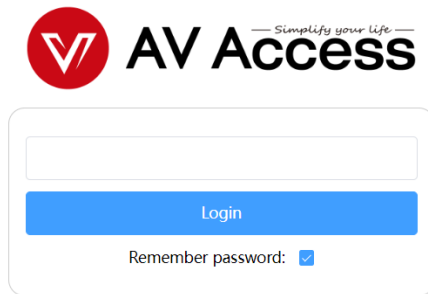
General	
Operating Temperature	0°C to + 45°C (32 to + 113 °F)
Storage Temperature	-20 to +70°C (-4 to + 158 °F)
Humidity	10% to 90%, non-condensing
ESD Protection	Human-body Model: ±8kV (Air-gap discharge)/ ±4kV (Contact discharge)
Power Supply	12V 2A DC
Power Consumption	19W (Max)
Device Dimensions (W x H x D)	230mm x 25mm x 142.6mm / 9.1" x 0.98" x 5.6" (Antenna not included)
Product Weight	0.68kg/1.5lbs

Web UI

The Web UI designed for this device allows for basic controls and advanced settings. It can be accessed through a modern browser, e.g. Chrome, Safari, Firefox, IE10+, etc.

To get access the Web UI:

1. Connect the LAN port of the device to a local area network. Ensure there's a DHCP server in the network so that the device can obtain a valid IP address.
2. Connect a PC to the same network as the device.
3. Input the device's IP address in the browser and press Enter, the following window will pop up. (See [OSD](#) section to easily view the IP address.)



4. Input the password (default password: **admin**) and click **Login** to enter the main page.

Wireless Setting	▼
Output Setting	▼
Network Setting	▼
Web UI Logon Password	▼
Guide Screen Change	▼
Firmware Upgrade	▼
Version Information	▼

The main page includes seven submenus: Wireless Setting, Output Setting, Network Setting, Web UI Logon Password, Guide Screen Change, Firmware Upgrade and Version Information.

Wireless Setting

Wireless Setting ^

Device Name

Note: The device name must be 1-20 characters in length(letters numbers, space, '_' or '-'), space can not at beginning or end.

[Apply](#)

WiFi Password

Note: The wifi password must be 8-20 characters in length(letters numbers '_' or '-').

[Apply](#)

WiFi Band

[Apply](#)

PIN shown on the screen (0000 ~ 9999 or blank) Auto

[Refresh](#) [Apply](#)

UI Element	Description
Device Name	Input a name for the device. This name also acts as the WiFi name and the receiver of Airplay and Miracast.

UI Element	Description
	<p>Note: The name must be 1~20 characters in length, including letters, numbers, “_” or “-” and, space shall not at the beginning or end. By default, it’s set as eShare W50.</p>
WiFi Password	<p>Configure the WiFi password. The name must be 1~20 characters in length, including letters, numbers, “_” or “-”.</p>
WiFi Band	<ul style="list-style-type: none"> • 5G: Configure the device’s frequency band as 5GHz. • 2.4G: Configure the device’s frequency band as 2.4GHz. <p>By default, it is set as 5GHz. If your wireless devices don’t support 5GHz Wi-Fi, configures the frequency band as 2.4G before connecting them to the device.</p>
PIN shown on the screen	<p>Enter a four-digit PIN code (0000~9999) to help prevent users from accidentally connecting to an unintended device and protect from an unauthorized access.</p> <ul style="list-style-type: none"> • When the PIN code is set, it will appear on the upper right corner of the display. • If you don’t want to set the PIN code, you can enter nothing here. • Auto: When “Auto” is checked, the device will randomly generate a four-digit PIN in two cases: a) the device switches to Guide Screen for output; b) the device reboots. <p>By default, it’s set as blank.</p>
Apply	<p>Click to perform current settings.</p>

Output Setting

Output Setting ^

Output timing 1920x1080P@60 ▾ Auto

Refresh Apply

Output HDCP Support Enable ▾

Apply

Auto Standby (Minute, ranges from 0 to 60, set to 0 for deactivation) 1

Apply

Note: when no signal on output for a while, it will countdown to standby.

UI Element	Description
Output timing	<p>Set the output timing for the input ports. Two operation methods are offered in the following:</p> <ul style="list-style-type: none"> • Auto: select to output the maximum resolution supported by the display based on the display's EDID. E.g. If display supports up to 4K@30Hz, the device will output 4K@30Hz video. • Resolution range list: select a desired output resolution from the dropdown menu to output this fixed resolution. <p>By default, it's set as Auto.</p>
Refresh	<p>Click to refresh to the latest status of the output timing.</p>
Output HDCP Support	<p>Set the HDCP capability for the HDMI output. Two options are offered in the following:</p> <ul style="list-style-type: none"> • Enable: select to enable HDCP capability of the output. • Disable: select to disable HDCP capability of the output. <p>By default, it's set as Enable.</p>

UI Element	Description
Auto Standby	<p>Set a period of time that remains before the countdown timer begins for auto standby.</p> <ul style="list-style-type: none"> For example, when the current output is Guide Screen, 1 minute means if there's no signal present at the display in 1 minute, the countdown timer for display standby begins; when the timer reaches zero, the display enters standby mode. <p>Note: If the connected display doesn't support CEC, the word "Standby" appears in the middle of the Guide Screen.</p> <ul style="list-style-type: none"> If it's set to 0 minute, it means this function is disabled, you cannot set the display to standby mode. <p>By default, auto standby is set as 1 minute.</p>
Apply	Click to perform current settings.

Network Setting

Network Setting

IP Mode	DHCP
IP Address	172.16.18.20
Netmask	255.255.255.0
Gateway	172.16.18.1
DNS Server 1	172.16.18.1
DNS Server 2	

Note: After changing network configuration, please reopen the web page with the new network settings.

Apply

Show IP address on Guide screen	Enable
---------------------------------	--------

Apply

UI Element	Description
IP Mode	Select an IP mode from DHCP and Static. By default, it's set as DHCP .
IP Address	Set IP address manually for the device when Static mode is selected.
Netmask	Set subnet mask manually for the device when Static mode is selected.
Gateway	Set gateway address manually for the device to communicate with another network when Static mode is selected.
DNS Server 1	Set DNS server manually for the device to ensure normal network communication.
DNS Server 2	
Show IP address on Guide Screen	<ul style="list-style-type: none"> • Enable: select to show IP address on Guide Screen. • Disable: select not to show IP address on Guide Screen. By default, it is set as Enable .
Apply	Click to save and perform current settings. Note: After the IP settings are changed, please refresh the Web UI page to re-login.

Web UI Logon Password

Web UI Logon Password ^

New Password

Confirm new password

Note: Password must be 4 to 16 characters in length, alphanumeric only.

UI Element	Description
New Password	Input a new password for the device to login web UI page.
Confirm new	Note: The password must be 4 to 16 characters in length, alphanumeric only.

UI Element	Description
password	
Apply	Click to perform current settings.

Guide Screen Change

Guide Screen Change ^

File: Browse

Apply

Note: You must upload an image in jp(e)g format that has 1920 x 1080 pixels.

- **Browse:** click to change to a new picture for the guide screen.
Note: Picture in jp(e)g format with 1920x1080 pixels is recommended.
- **Apply:** click to upload the selected picture to the device.

Firmware Upgrade

Firmware Upgrade ^

File: Browse

Apply

Note: The legal firmware package is a .zip archive. The system will be rebooted to finish upgrading.

Reboot Reset To Factory Default Export Log

UI Element	Description
Browse	Click to browse for the local upgrade file.
Apply	Click to upload the firmware file to the device and perform firmware upgrade.
Reboot	Click to reboot the device.
Reset to Factory	Click to restore the device to its factory defaults. You can also perform this task by using the Reset

UI Element	Description
Default	button on front panel.
Export Log	Click to export system log.

Version Information

Version Information ^

Version	V1.1.9
Build Time	2022.07.11 09:10:21

UI Element	Description
Version Information	Displays the device's firmware information.
Version	Shows the device's firmware version.
Build Time	Shows the time and date when the device's firmware was built.

Firmware Upgrade

The device supports firmware upgrade through either Web UI or USB-A ports on rear panel.

To upgrade firmware through Web UI, see [Firmware Upgrade](#) section.

To upgrade firmware through USB-A port on rear panel, perform the following:

1. Name the upgrade file package "FSC610-update.zip".
2. Create a new folder named "upgrade" under the root directory of a FAT32 or NTFS Udisk. Place the upgrade file in this folder.
3. Connect the Udisk to either of the device's USB-A ports. It takes about 1 minute for the device to read the Udisk. If the device detects the upgrade file is a newer version, it will start to upgrade. When the upgrade process is completed, the device will reboot automatically.

Note:

- Before connect Udisk to this device, we recommend that you remove USB-C source from the device's USB-C In port.
- Do not cut off the power during the upgrade process.
- If the device detects the upgrade file is not a newer version, it will not start to upgrade.

Warranty

Products are backed by a limited 1-year parts and labor warranty. For the following cases AV Access Technology Limited shall charge for the service(s) claimed for the product if the product is still remediable and the warranty card becomes unenforceable or inapplicable.

1. The original serial number (specified by AV Access Technology Limited) labeled on the product has been removed, erased, replaced, defaced or is illegible.
2. The warranty has expired.
3. The defects are caused by the fact that the product is repaired, dismantled or altered by anyone that is not from an AV Access Technology Limited authorized service partner. The defects are caused by the fact that the product is used or handled improperly, roughly or not as instructed in the applicable User Guide.
4. The defects are caused by any force majeure including but not limited to accidents, fire, earthquake, lightning, tsunami and war.
5. The service, configuration and gifts promised by salesman only but not covered by normal contract.
6. AV Access Technology Limited preserves the right for interpretation of these cases above and to make changes to them at any time without notice.

Thank you for choosing products from AV Access.



AV Access — *Simplify your life* —

AV Access Technology Limited

V1.0.1